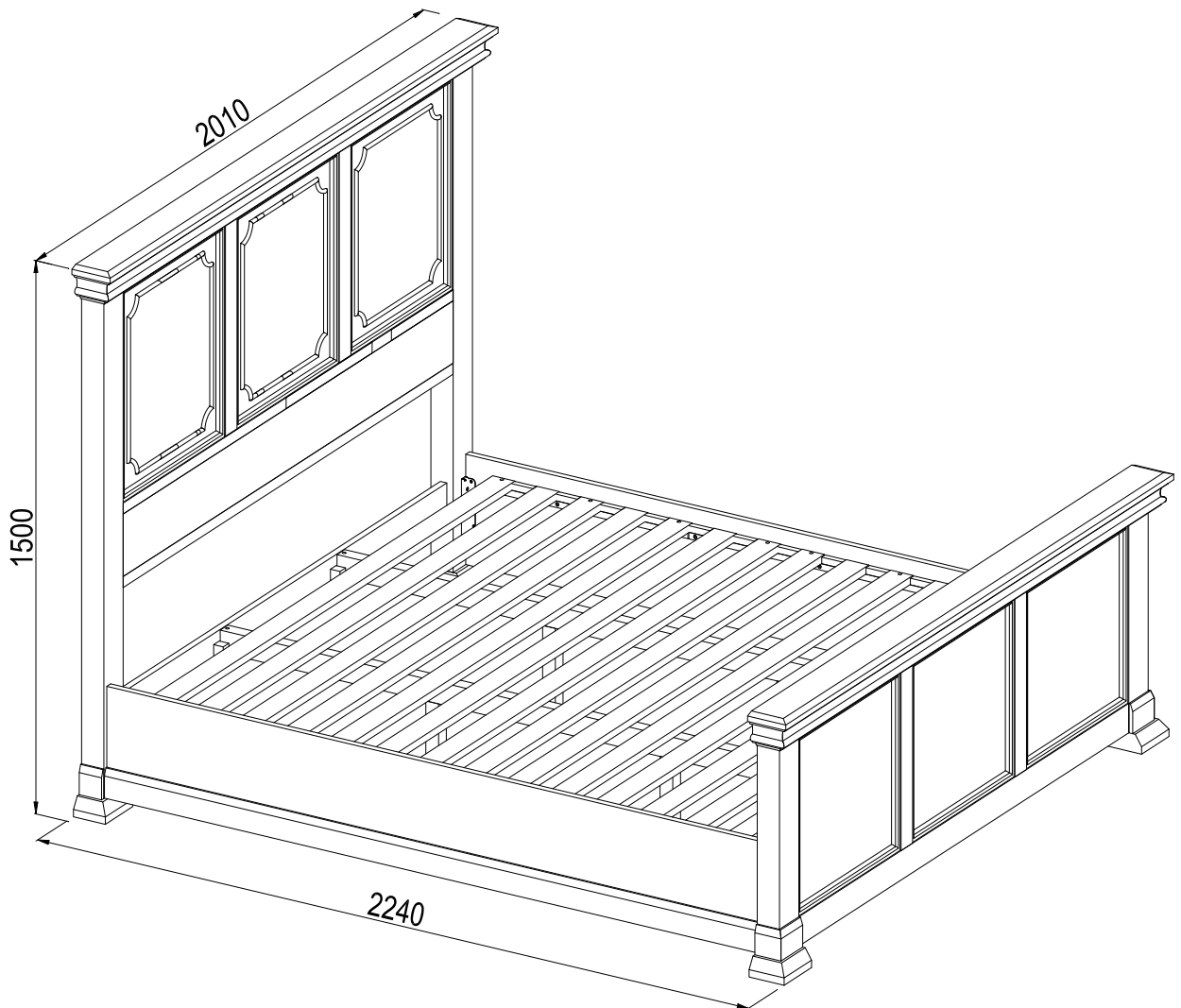


ASSEMBLY INSTRUCTION  
LA SALLE KING BED  
ITEM CODE 63814



Imported by Amart Furniture Pty Ltd, Qld, Brisbane Australia.  
For any assistance with assembly or for missing parts please phone  
Amart Furniture, Customer Service Free call 1800 351 084

## **IMPORTANT: CARE GUIDE FOR YOUR TIMBER FURNITURE**

- *Congratulations! You have just purchased a quality product from Amart Furniture. Please read on for important information regarding your purchase.*
- A multi-step finish is applied to all our furniture, but all wood comes from nature. Because of this, there will be natural variations in surface texture and grain like knots, mineral streaks and sap runs that may affect the finish.
- These differences in character are not defects, but distinctions that make each piece of furniture unique.
- Our furniture is built to last. Following these steps for basic care should protect your investment for years to come.
- Dust frequently with a clean damp lint-free cloth. This will help remove abrasive build up which can damage a finish over time.
- Do not place hot objects on any furniture surface. Always use a **coaster** or placemat. Laminate and lacquer finishes on table tops provide added scratch and heat resistance to our furniture, but they can still be damaged without proper care.
- Avoid exposing your furniture to strong sunlight, heat outlets, open windows or dampness. Prolonged exposure to direct sunlight can fade the finish of your furniture, while extreme temperature and humidity changes can cause cracking or splitting.
- Do not expose your furniture to any liquids. Never allow water to sit on your furniture. Alcohol, nail polish and perfume are also dangerous as they will dissolve the lacquer finish on contact and may require professional repairs.
- Do not allow plastic to come in direct contact with your furniture. Chemicals in the plastic of placemats etc may soften and mark the finish if left in contact with the furniture for a period of time.

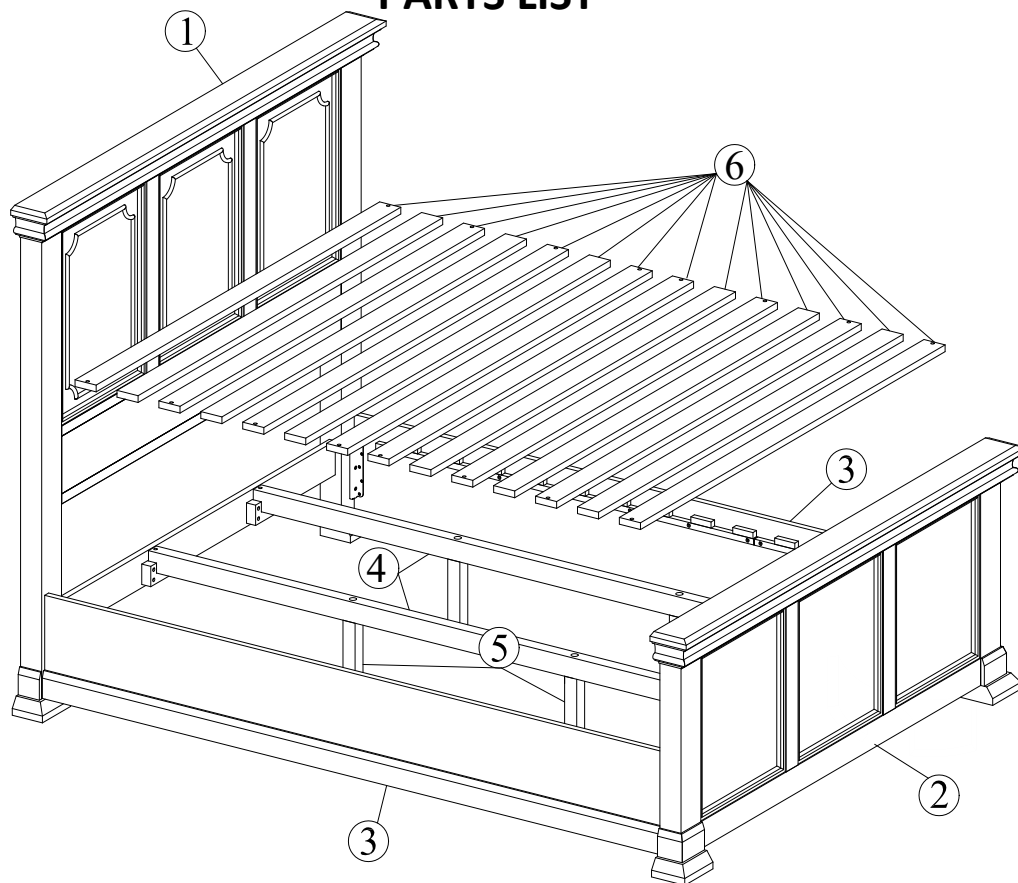
## PRE-ASSEMBLY PREPARATION

### Before you start:

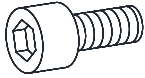







1. Choose a clean, level, spacious assembly area. Avoid hard surfaces that may damage the product
2. Take care when lifting. Product should be assembled as near as possible to the point of use
3. Ensure that you have all required contents for complete assembly
4. Always read the assembly instructions carefully before beginning assembly.
5. Keep all hardware parts and packaging out of reach of small children.
6. Do not over tighten the screws and bolts as this may damage the threads

 <p>Allow at least 45min</p>	 <p>you will need 2 people</p>
 <p>ADDITIONAL TOOLS REQUIRED</p>	

# PARTS LIST

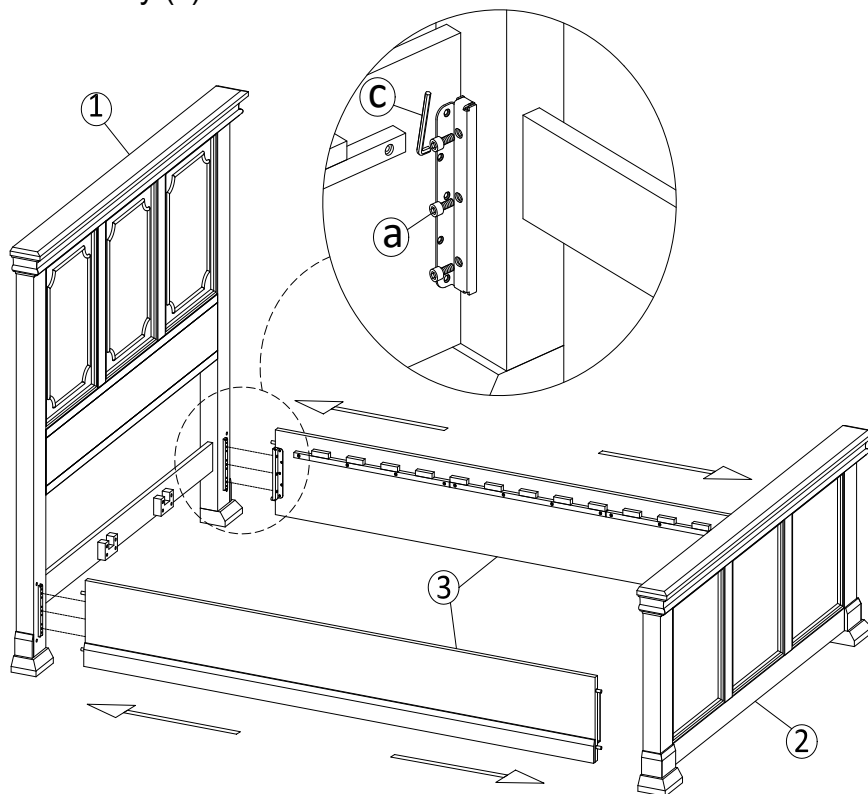


Part	DESCRIPTION	Qty	In box	Part	DESCRIPTION	Qty	In box
1	HEADBOARD	1	1	4	CENTRE RAILS	2	3
2	FOOTBOARD	1	2	5	SUPPORT LEGS	4	1
3	SIDE RAILS	2	3	6	SLATS	14	4

<b>A</b> M6 X 10 BOLT 12 PCES 	<b>B</b> M6 X 60 BOLT 4 PCES 	<b>C</b> M5 ALLEN KEY 1 PCE 	<b>D</b> M4 ALLEN KEY 1 PCE 
<b>E</b> M4 X 30 SCREW 16 PCES 	<b>F</b> M4 X 40 SCREW 4 PCES 	<b>G</b> M6.5 X 19 FLAT WASHER 4 PCES 	<b>H</b> M6.5 X 9 SPRING WASHER 4 PCES 

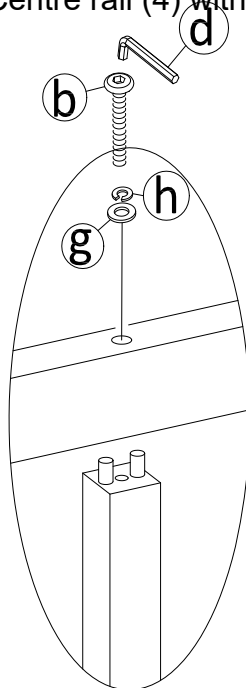
## STEP 1:

- Attach side rail (3) to headboard (1) and footboard (2) using bolts (a).
- Tighten with Allen Key (c).



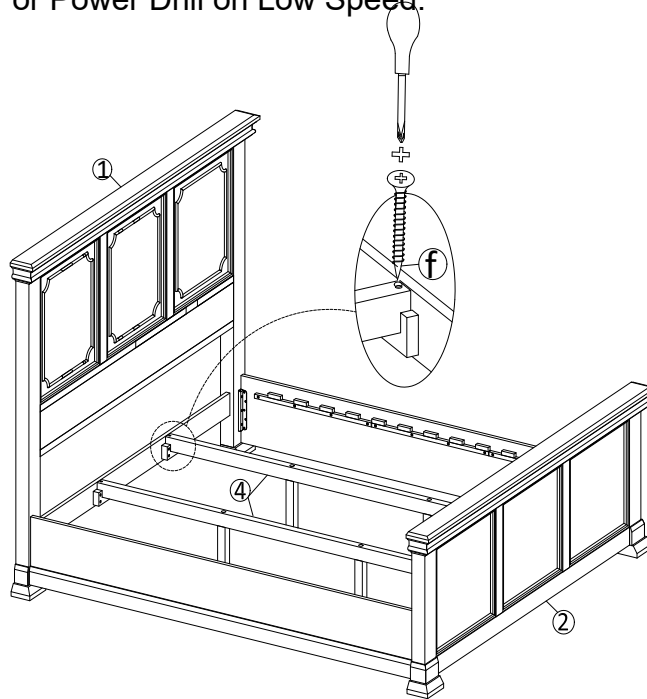
## STEP 2:

- Attach Support legs (5) to Centre rail (4) with bolts (b) and Flat Washers (g)&(h).
- Tighten with Allen Key (d).



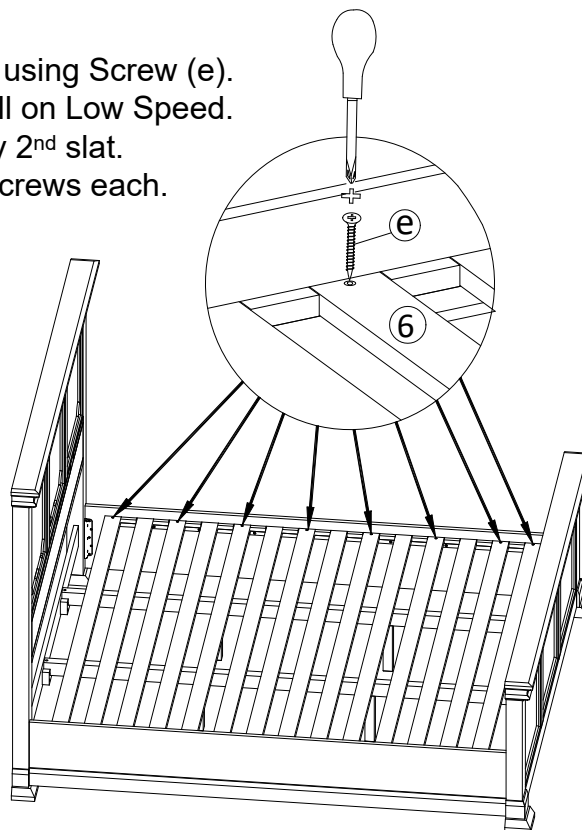
### STEP 3:

- Attach centre rail (4) to Headboard (1) and Footboard (2) using Screw (f).
- Use Screwdriver or Power Drill on Low Speed.

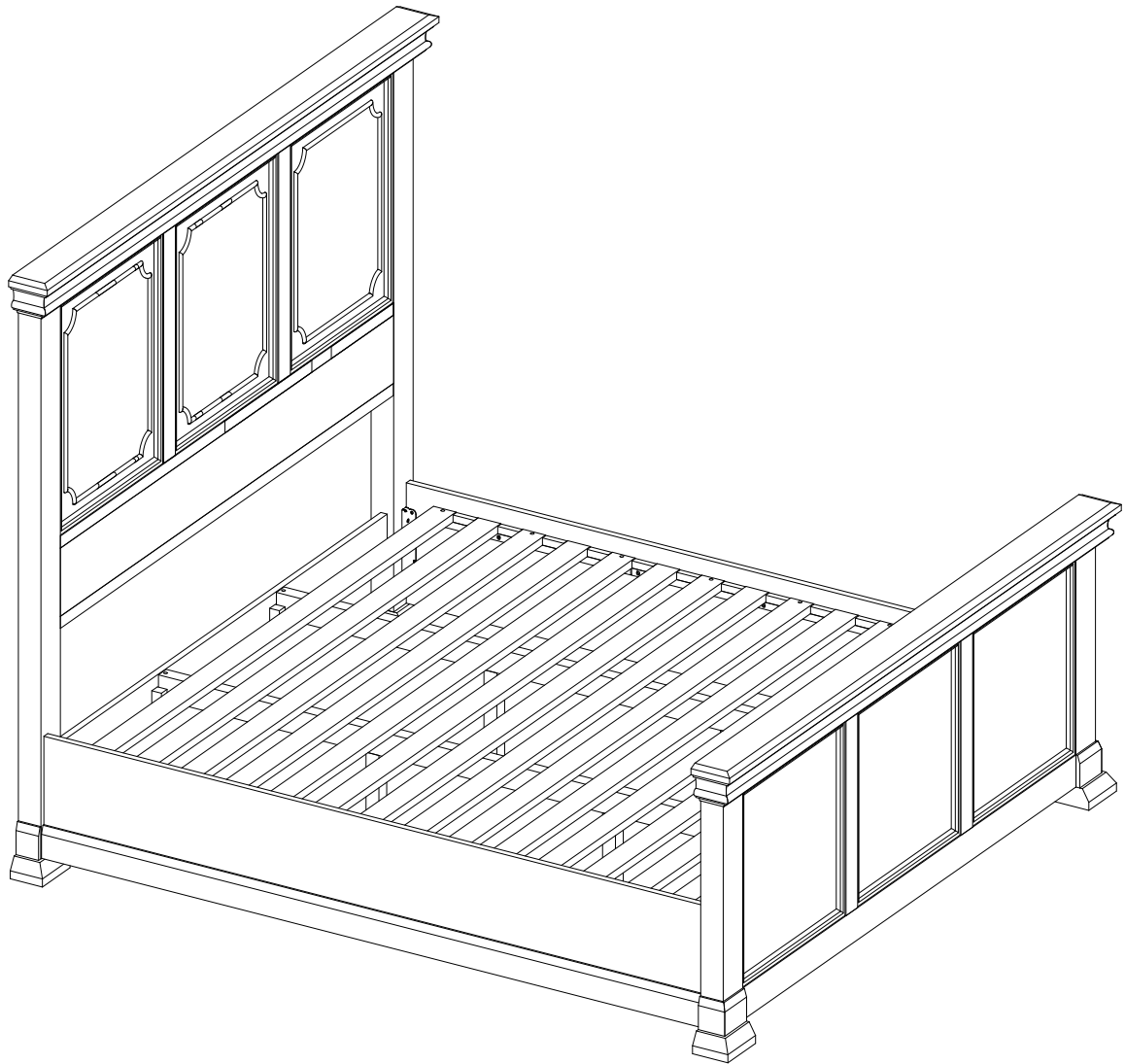


### STEP 4:

- Attach Slats (6) to Siderail (3) using Screw (e).
- Use Screwdriver or Power Drill on Low Speed.
- Please only screw down every 2<sup>nd</sup> slat.
- First and last slats need two screws each.



# ASSEMBLY IS COMPLETE



## CAUTION

Always Lift Your Bed When Moving/Relocating – Do Not Drag.  
Dragging Can Cause The Centre Support Legs To Bend/Break